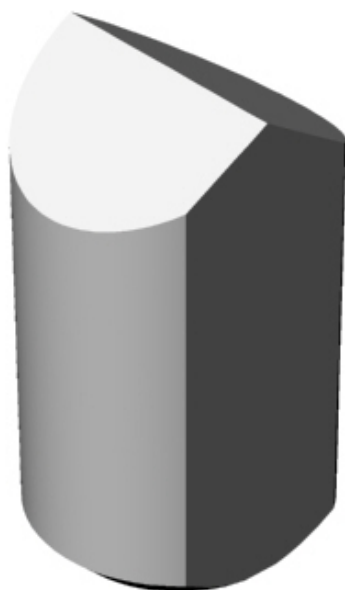
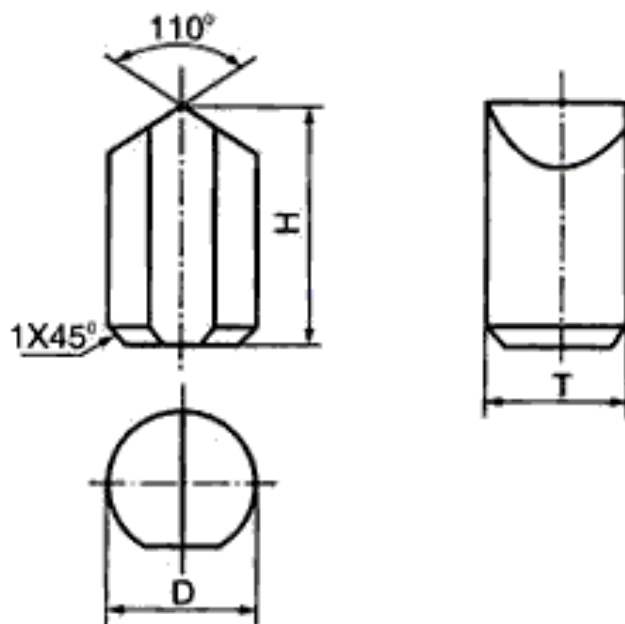


Mining Bits

www.mj-metalproducts.com



Type K2



It is used for making chisel & cross cemented carbide drill bits.

| Type | Dimension (mm) | | |
|------|----------------|------|------|
| | D | H | T |
| K208 | 8.0 | 16.0 | 7.6 |
| K210 | 10.0 | | 9.3 |
| K212 | 12.0 | | 11.0 |

Marie Jay's Metal Products

Add: 203, Building 29,
X. Y. Subdistrict, Changjiang Road N.,
Zhuzhou, Hunan 412007, P.R. China
Tel: 86-731-22130772
Fax: 86-731-22130772
Website: www.mj-metalproducts.com
Contact Person: Nicole Young
Email: mariejmetals@gmail.com