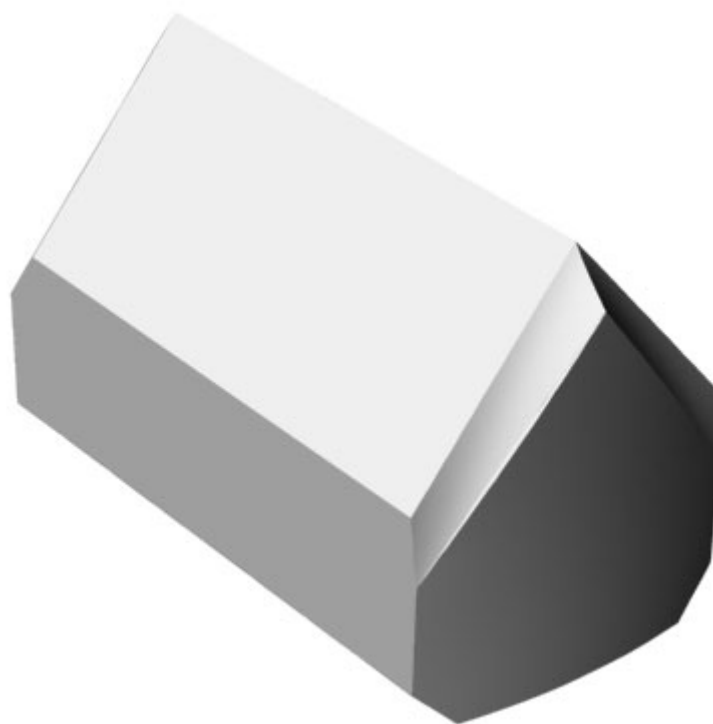
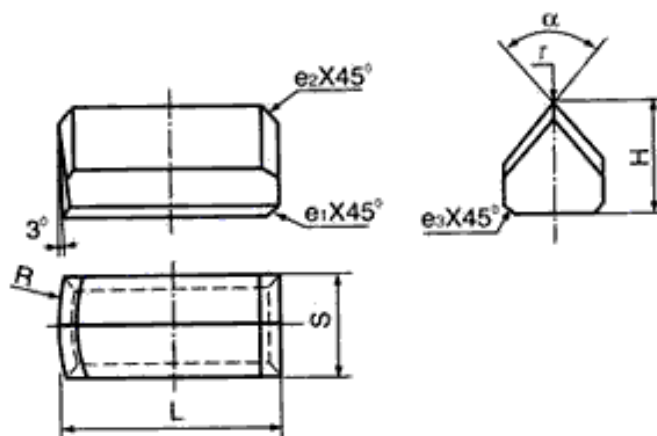


Mining Bits

www.mj-metalproducts.com



Type K23



It is used for making cross and X-shaped cemented carbide drill bits.

Type	Dimension (mm)								
	L	H	S	R	α	γ	e1	e2	e3
K23-92001	11.0	6.5	7.8	19.1	80°	0.8	0.4	0.8	0.8
K23-85001	12.0	6.5	7.8	19.1	80°	0.8	0.4	0.8	0.8
K23-85002	13.5	6.5	7.8	19.1	80°	0.8	0.4	0.8	0.8
K23-85003	15.1	6.5	7.8	19.1	80°	0.8	0.4	0.8	0.8
K23-85004	16.7	14.3	7.7	19.1	70°	0.8	0.4	0.8	0.8
K23-85005	18.3	14.3	7.7	19.1	70°	0.8	/	0.8	0.8
K23-82001	28.5	22.0	13.0	31.0	110°	/	/	2.0	0.5
K23-84001	29.0	25.4	13.0	38.0	110°	/	/	2.0	1.0
K23-83001	34.7	22.0	13.0	45.0	110°	/	/	2.0	1.5
K23-84002	35.0	25.4	14.2	45.0	110°	/	/	2.0	0.5
K23-72001	42.0	20.0	12.0	50.0	70°	0.2	1.5	2.0	1.5

Marie Jay's Metal Products

Add: 203, Building 29,

X. Y. Subdistrict, Changjiang Road N.,

Zhuzhou, Hunan 412007, P.R. China

Tel: 86-731-22130772

Fax: 86-731-22130772

Website: www.mj-metalproducts.com

Contact Person: Nicole Young

Email: mariejmetals@gmail.com